



Sher-e-Kashmir University of Agricultural Sciences and Technology of Jammu

To,

(Limited Tender Notice)

Subject: Quotation for fabrication of stand for water tank and minor civil work-reg.

Dear Sir,

Kindly supply the quotation for price bid and other technical details under the sealed cover for supply of the items detailed below under the following terms & conditions.

Item/Make	Specification
1. Fabrication of MS iron stand for water tank.	Dimensions of angle iron 63 x 63 x 5 mm, height of stand =2.3m (1.8 m above ground + 0.5 m underground, top area shall be 1.5 m x 1.8 m with support of ms angle iron at bottom of frame, cross support and layover of supports at top of the frame for standing of water tank. The weight of the tank should not be less than 150 kg (drawing attached). The gutter and other drainage pipes must be fitted with proper clamps and in alignment to ensure water supply from roof to water tank.
2. Minor civil work-	
a. Installation of stand with cement concrete grouting and installation of water storage tank	
b. Cleaning of roof area and repairing roof's drainage outlets with fixing of outlet pipes.	
c. Installation of gutters, down pipes, pre filter and various accessories.	

Terms & Conditions.

1. Gutter pipes, drainage pipes, water tank and other pipe fitting are provided from the Project.
2. The rate quoted shall be reasonable and concession if any being an education & research institute may be extended to us.
3. The rates should be quoted inclusive of GST, Packaging and Forwarding/Transportation or Freight/Entry tax of J&K (if applicable) and all other admissible levies and should be quoted as **FOR ACRA, Dhiansar, SKUAST-Jammu.**
4. The quotation shall be addressed to **PI, (RTWHS), Division of Agricultural Engineering, FoA, Block No.-7 (Ground Floor), Chatha, Jammu, J&K-180009 India, in a sealed envelope submitted through speed post with the title "Quotation for rooftop water harvesting system at ACRA Dhiansar" on or before 25 October, 2019 before 2.00 pm.**
5. The quotation shall be opened on 25 October, 2019 at 3.00 pm. in the office chamber of undersigned. The supplier or his representative may present at the venue on given date and time, if desired.
6. The supplier must provide the minimum guarantee/warranty of the items supplied.
7. The supply may be ensured after the formal supply order and the mode of payment shall be after proper verification of the item by the concerned.
8. The University reserves the right to accept or cancel the quotation without assigning any reason.
9. The supplier must be a registered firm/authorized supplier.
10. In case of any dispute, the same will be adjudicated within Jammu only.

Thanks

No. AVJ/A&D/19-20/F-30/533-536
Dt. 11/10/2019

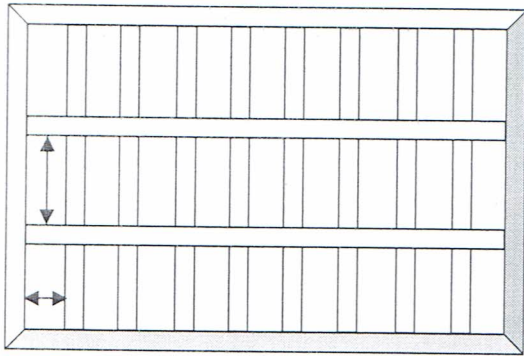
Yours Sincerely

Sushmita M. Dadhich
(Dr. Sushmita M. Dadhich)

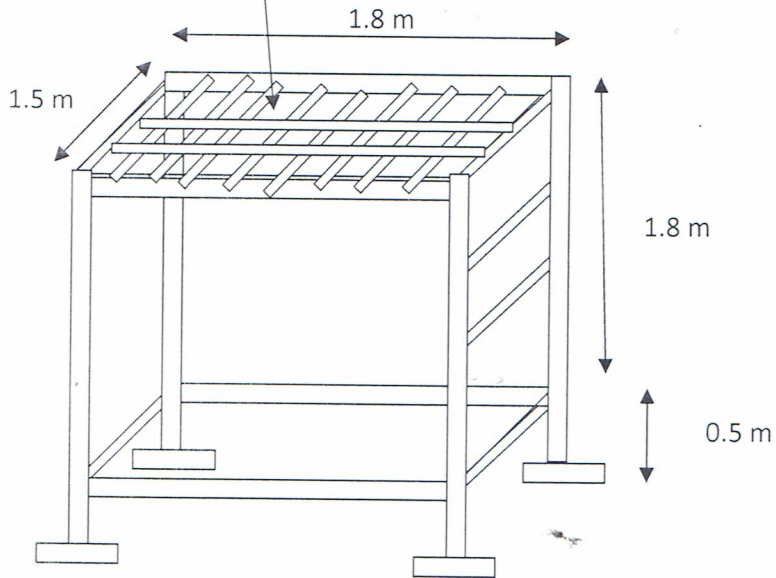
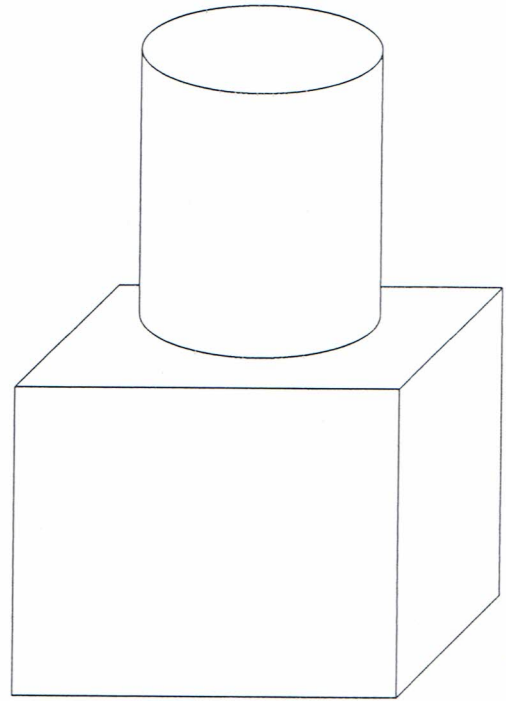
Copy to:- Director research, SKUAST-Jammu for information please.

- Head, Division of Agricultural Engineering, FoA, Chatha, Jammu for information please.
- Nodal Officer, SKUAST Jammu for website for uploading on the website please.
- Asstt. Comptroller H/Q, for information please

0.5 m



0.2 m



82